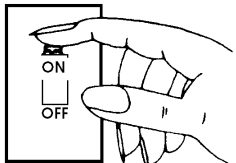


# INSTALLATION INSTRUCTIONS

READ IMPORTANT SAFETY TIPS BEFORE PROCEEDING WITH INSTALLATION

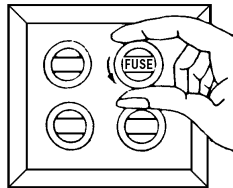
## SAFETY TIPS



Turn fixture off! (Place wall switch in off position, if fixture has built-in switch or chain pull, switch or pull chain so fixture is off.)

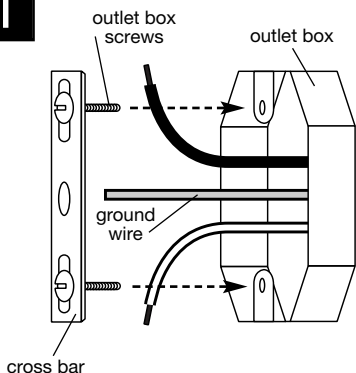


Next - go to the main fuse box. If your fuse box has an ON/OFF switch, simply place main power switch in OFF position.



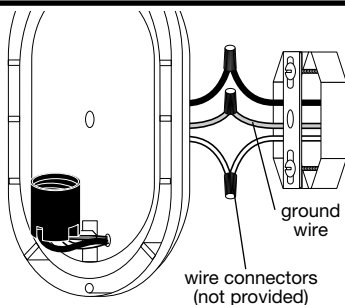
Screw-in type fuses - unscrew the fuse or fuses that control the power to the fixture or room you are working in.

1



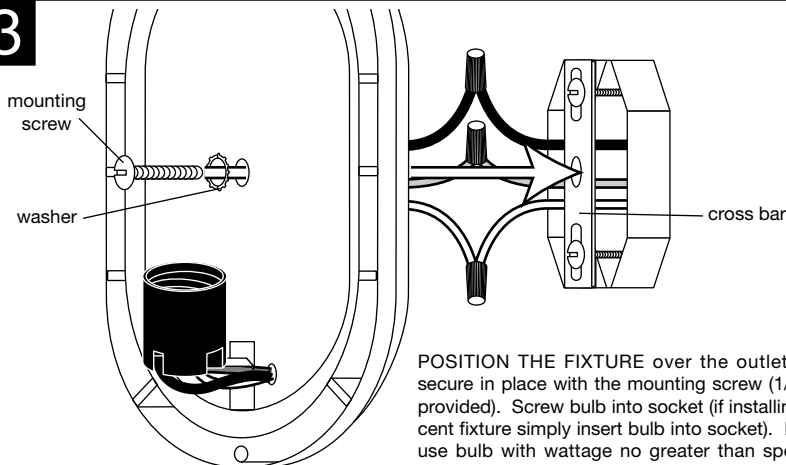
ATTACH cross bar to outlet box with outlet box screws (8-32x1/2, 2 slotted screws provided).

2



CONNECT THE WIRES. NOTE: Attach black fixture wire to black supply wire, white fixture wire to white supply wire. Do not mix them up. Use approved electrical tape or wire connectors (not provided). Connect bare fixture ground wire to ground wire from outlet box. NEVER CONNECT GROUND WIRE TO BLACK OR WHITE POWER SUPPLY WIRES.

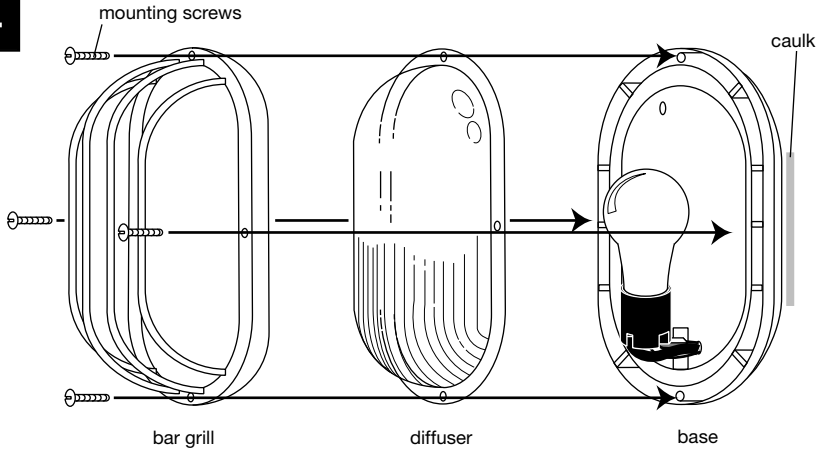
3



POSITION THE FIXTURE over the outlet box and secure in place with the mounting screw (1/4-20x1, 1 provided). Screw bulb into socket (if installing fluorescent fixture simply insert bulb into socket). Be sure to use bulb with wattage no greater than specified for this fixture.

# INSTALLATION INSTRUCTIONS

## 4



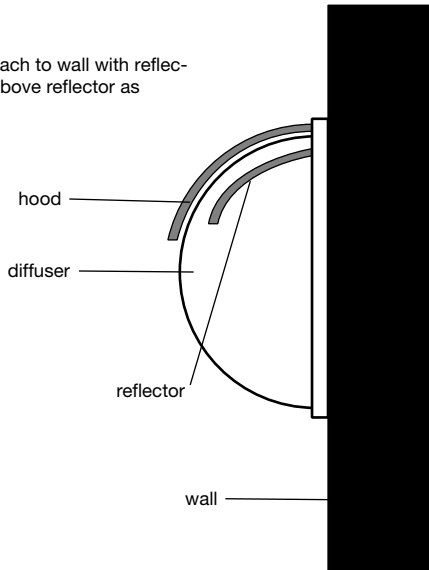
PLACE DIFFUSER on fixture base, then place bar grill or frame (depending on fixture model) over diffuser and attach to base with mounting screws (8-32x1/2, 4 combination head screws provided).

NOTE: On models with hood, attach diffuser to base with one combination head mounting screw at center top of base only. Place hood over diffuser and secure to base with remaining three mounting screws.

NOTE: Outdoor wall fixture MUST be caulked with an acrylic caulk where base of fixture meets mounting surface. This provides a water tight seal when fixture is installed.

## 5

ON MODELS WITH HOOD, attach to wall with reflector up. Hood is to be placed above reflector as shown.



FOR FLUORESCENT FIXTURES ONLY---COLD WEATHER STARTING INFORMATION: For temperatures below 25° leave the PL( lamp(s) on continuously - starting with warm lamps. NOTE: If lamp starting becomes a problem in any cold weather applications; remove the lamp(s) from the fixture - bring the lamp(s) indoors so that they become warm - then re-install the lamp(s) into the fixture and leave the fixture on continuously. Do not place lamp(s) in an oven, microwave or similar heat producing device.