

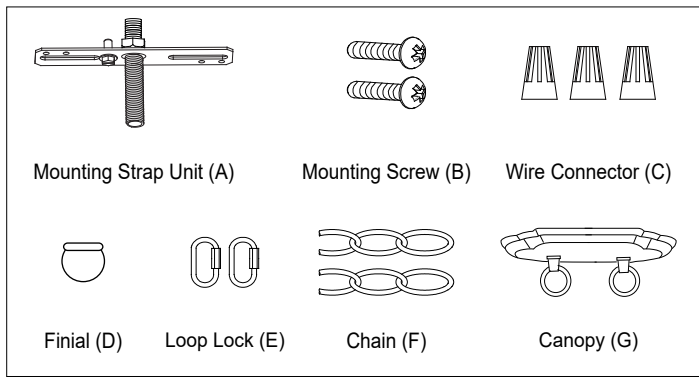
ASSEMBLY AND INSTALLATION INSTRUCTIONS

H0259

WARNING: TO AVOID RISK OF ELECTRICAL SHOCK, BE SURE TO SHUT OFF POWER BEFORE INSTALLING OR SERVICING THIS FIXTURE.

NOTES: 1. Before installing, consult local electrical codes for wiring and grounding requirements.
2. READ AND SAVE THIS INSTRUCTION.

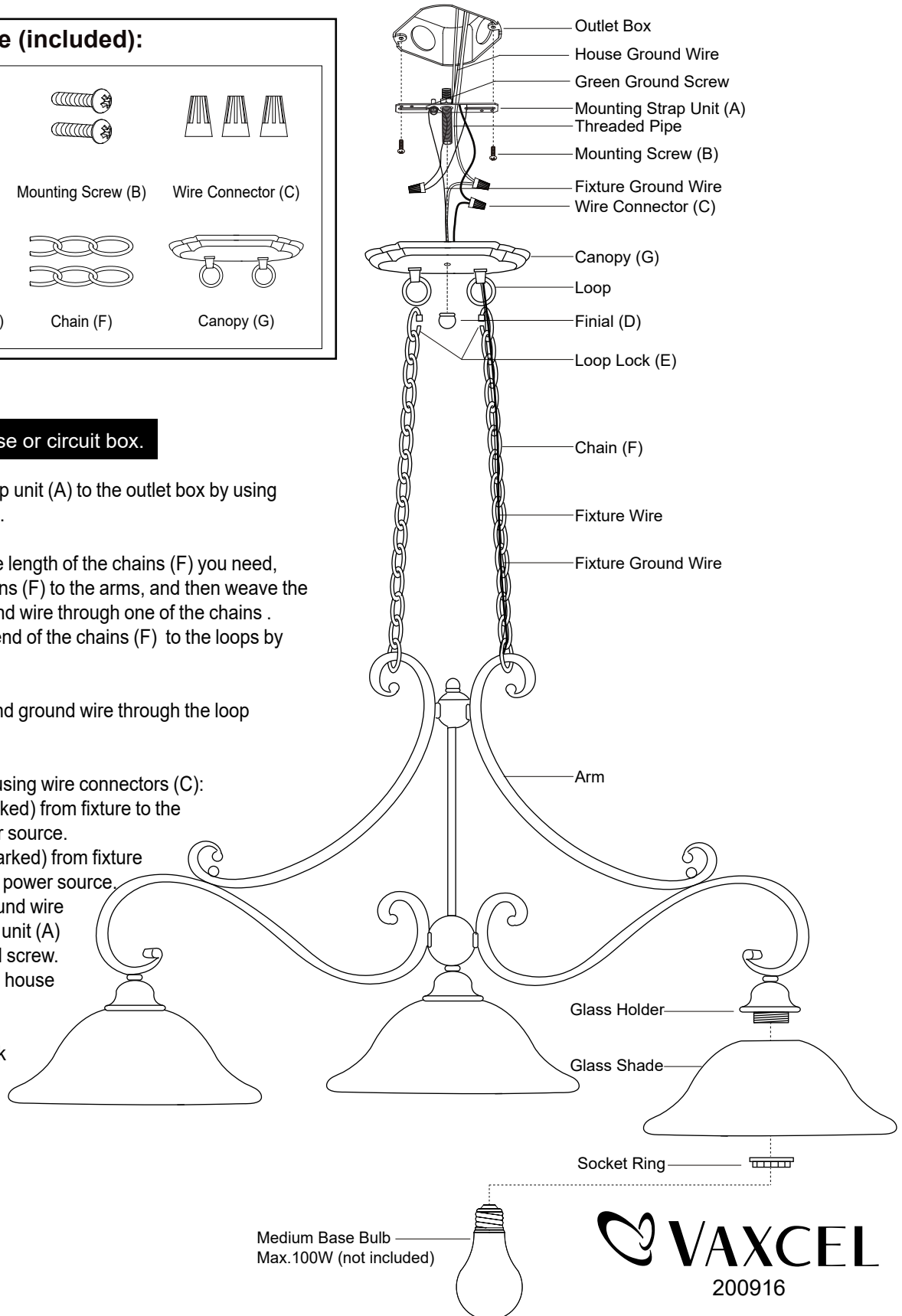
Hardware Package (included):



Installation Steps

Turn off the power at fuse or circuit box.

1. Attach the mounting strap unit (A) to the outlet box by using two mounting screws (B).
2. Choose two certain same length of the chains (F) you need, hook one end of the chains (F) to the arms, and then weave the fixture wire and the ground wire through one of the chains. Then connect the other end of the chains (F) to the loops by using the loop locks (E).
3. Thread the fixture wire and ground wire through the loop and canopy (G) in order.
4. Make wire connections using wire connectors (C):
 - The smooth wire (marked) from fixture to the black wire from power source.
 - The ridged wire (unmarked) from fixture to the white wire from power source.
 - Attach the fixture ground wire to the mounting strap unit (A) with the green ground screw. Then connect it to the house ground wire with the wire connector (C).
 Carefully tuck wires back into the outlet box.



5. Attach the canopy (G) to the mounting strap unit (A) by inserting the threaded pipe, and then secure with the finial (D).
6. Attach the glass shades to the glass holders, and then secure with the socket rings.
7. Install 3 x 100W Max medium base bulbs (not included) . See relamping label at socket area or packaging for maximum wattage allowed.

Turn on the power at fuse or circuit box.

The following parts are available for re-order if damaged or missing.

Spare Parts List:

						<p>Mounting Hardware 6296MM(1 SET)</p>
Mounting Strap Unit (A)	Mounting Screw (B)	Wire Connector (C)	Finial (D)	Loop Lock (E)	Chain (F)	

Glass Shade
10200EW

