

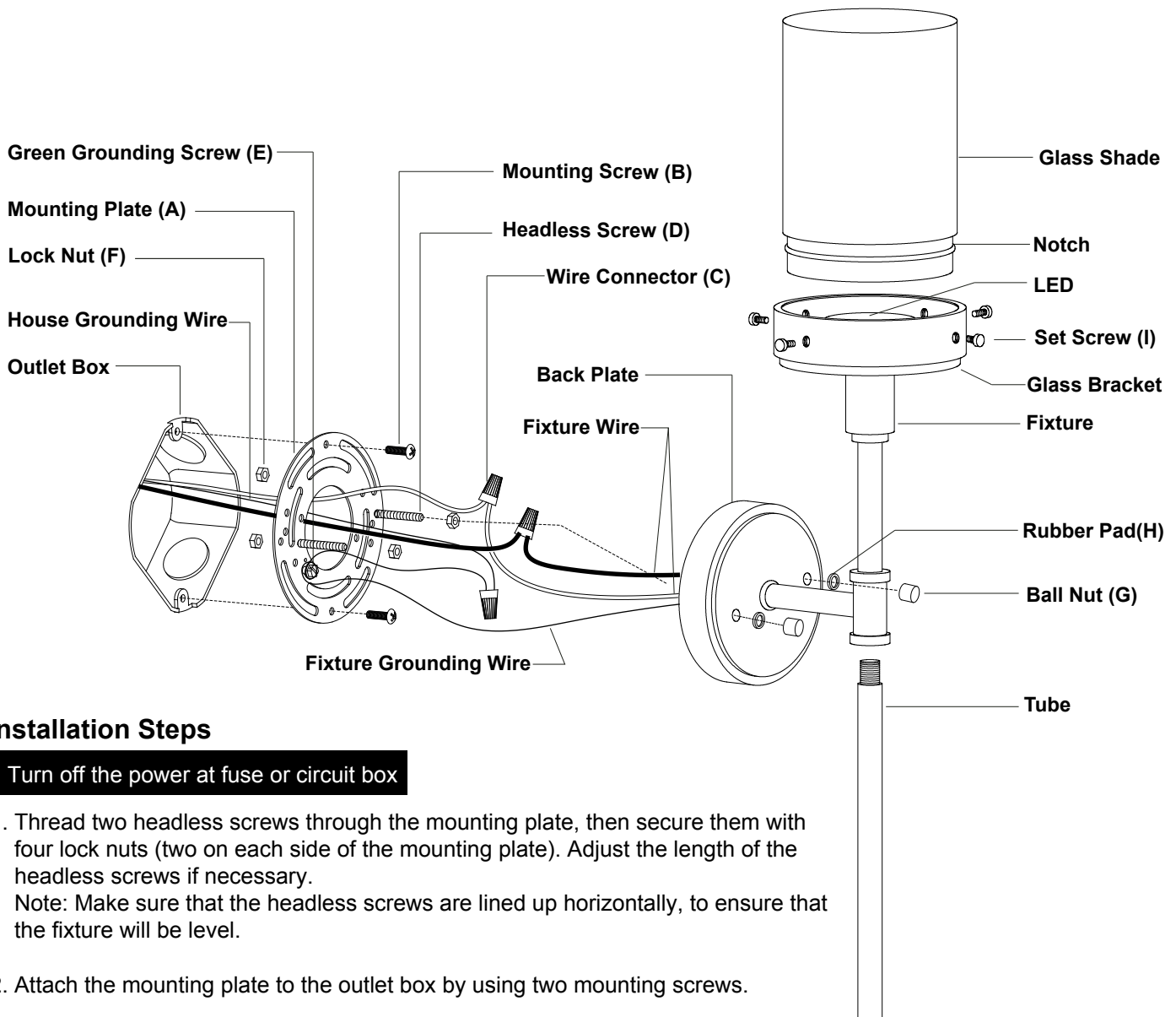
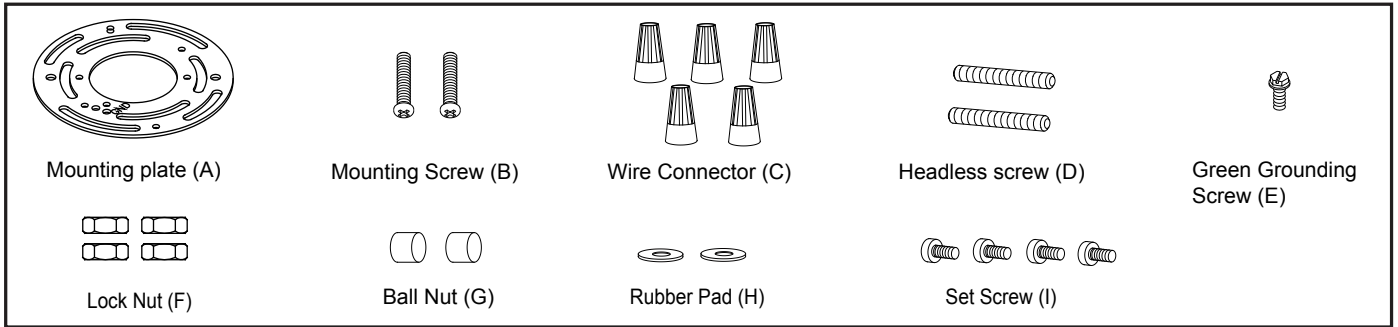
ASSEMBLY AND INSTALLATION INSTRUCTIONS

T0390 / T0391 / T0392 / T0393

WARNING: TO AVOID RISK OF ELECTRICAL SHOCK, BE SURE TO SHUT OFF POWER BEFORE INSTALLING OR SERVICING THIS FIXTURE.

NOTES: 1. Before installing, consult local electrical codes for wiring and grounding requirements.
2. READ AND SAVE THESE INSTRUCTIONS.

Hardware Package (included):



Installation Steps

Turn off the power at fuse or circuit box

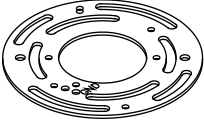
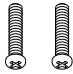
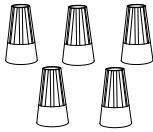
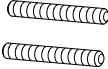

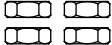

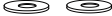
1. Thread two headless screws through the mounting plate, then secure them with four lock nuts (two on each side of the mounting plate). Adjust the length of the headless screws if necessary.
Note: Make sure that the headless screws are lined up horizontally, to ensure that the fixture will be level.
2. Attach the mounting plate to the outlet box by using two mounting screws.
3. Secure the tube to the fixture.

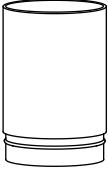
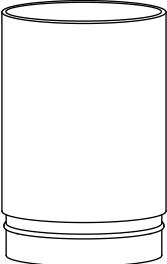
4. Pull out the outlet wires and house grounding wire from the outlet box. Make wire connections using the wire connectors:
 - Connect the black wire from the fixture to the black wire from the power source.
 - Connect the white wire from the fixture to the white wire from the power source.
 - Attach the fixture grounding wire to the mounting plate with the green grounding screw. Then connect it to the house grounding wire with a wire connector.
 Carefully put the wires back into the outlet box.
5. Attach the fixture to the mounting plate by inserting the headless screw, then secure it with two rubber pads and two ball nuts.
6. Attach the glass shade to the glass bracket by threading set screws onto the glass notches.

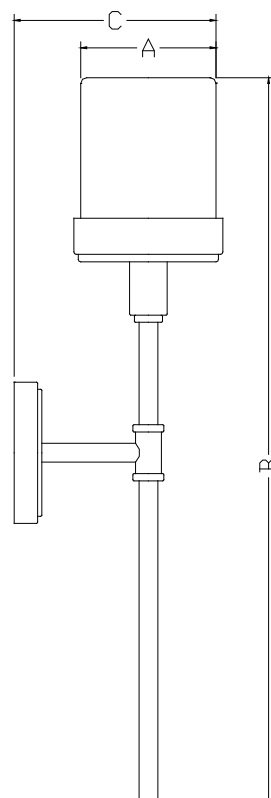
Turn on the power at fuse or circuit box

The following parts are available for re-order if damaged or missing.

Spare Parts List:

 Mounting plate (A)	 Mounting Screw (B)	 Wire Connector (C)	 Headless screw (D)	← Mounting Hardware 5614MM (1 SET) For T0390
 Green Grounding Screw (E)	 Lock Nut (F)	 Ball Nut (G)	 Rubber Pad (H)	← Mounting Hardware 5615MM (1 SET) For T0391
				← Mounting Hardware 5616MM (1 SET) For T0392
				← Mounting Hardware 5617MM (1 SET) For T0393

 ← Glass Shade 9942CE For T0390 & T0392	 ← Glass Shade 9943CE For T0391 & T0393
--	---



T0390 / T0392:

A: 4-3/4"

B: 21-1/2"

C: 6"

T0391 / T0393:

A: 5"

B: 26"

C: 7"